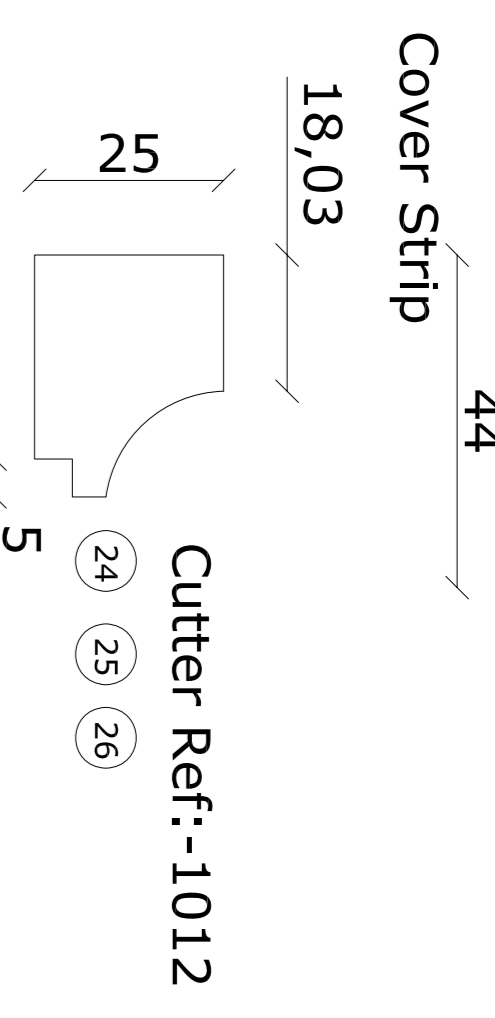
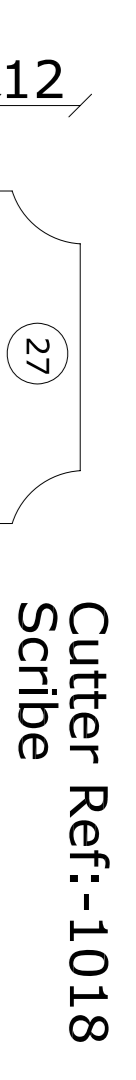
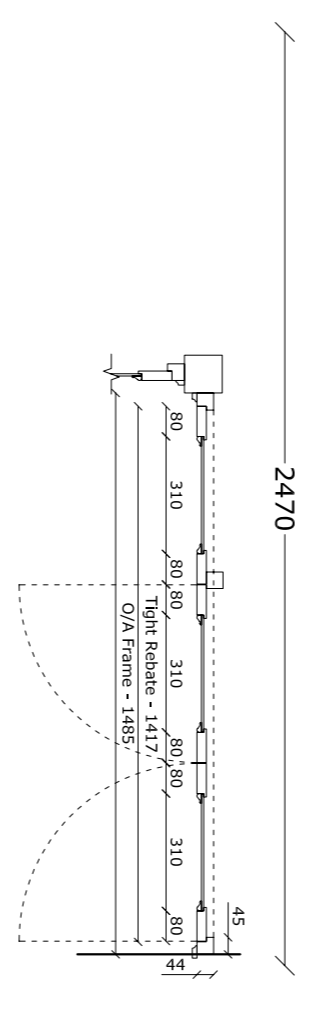
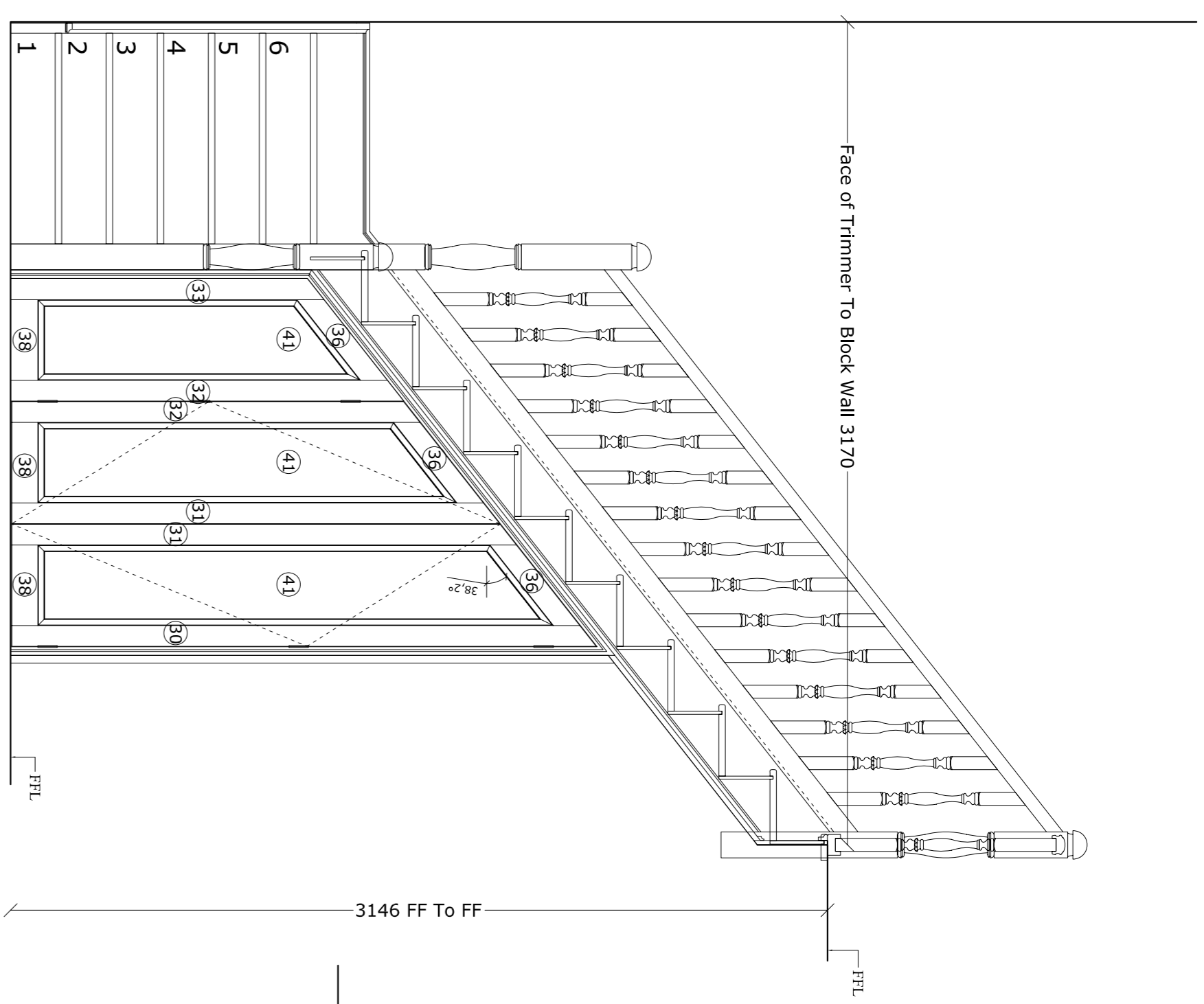
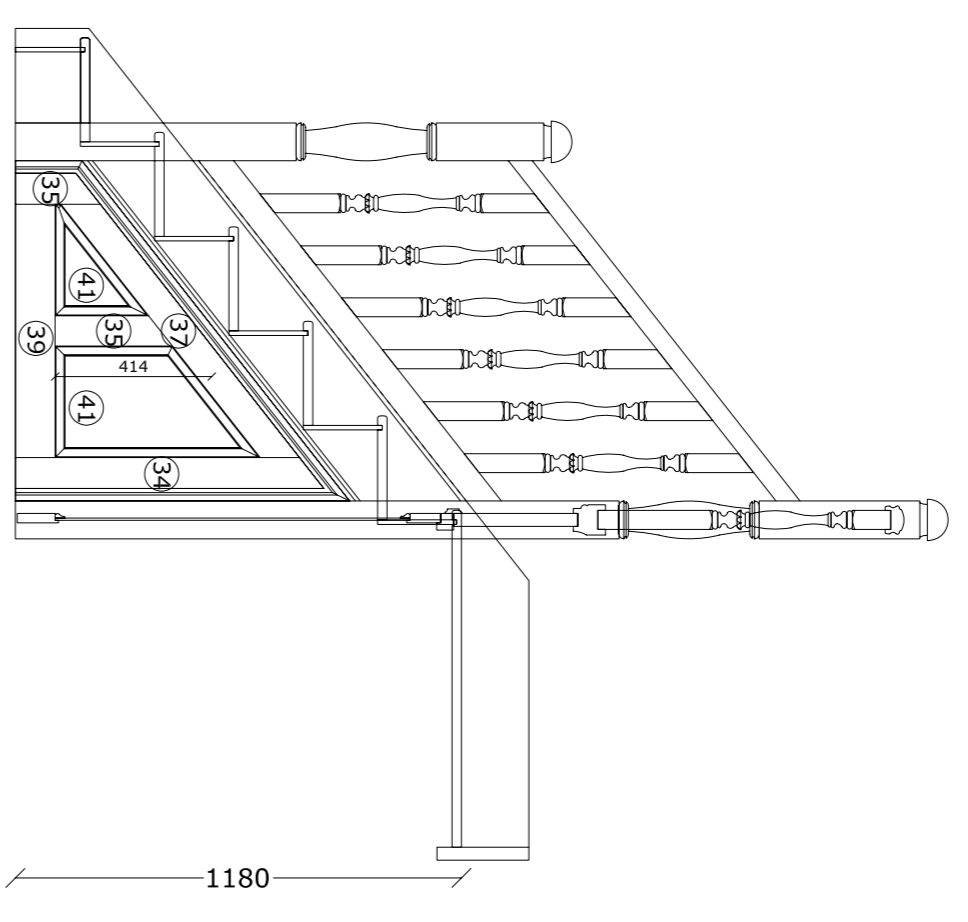
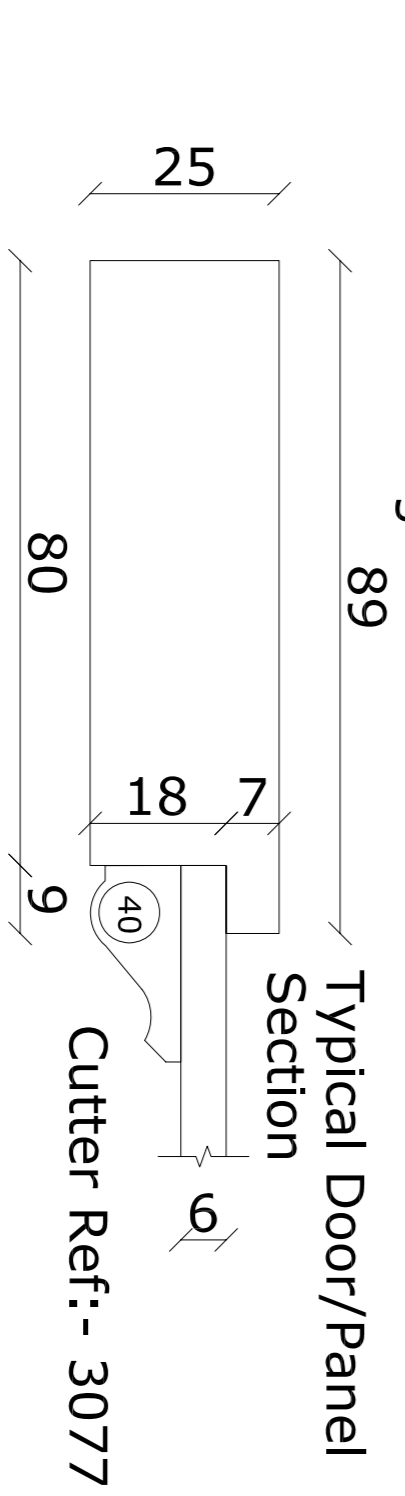
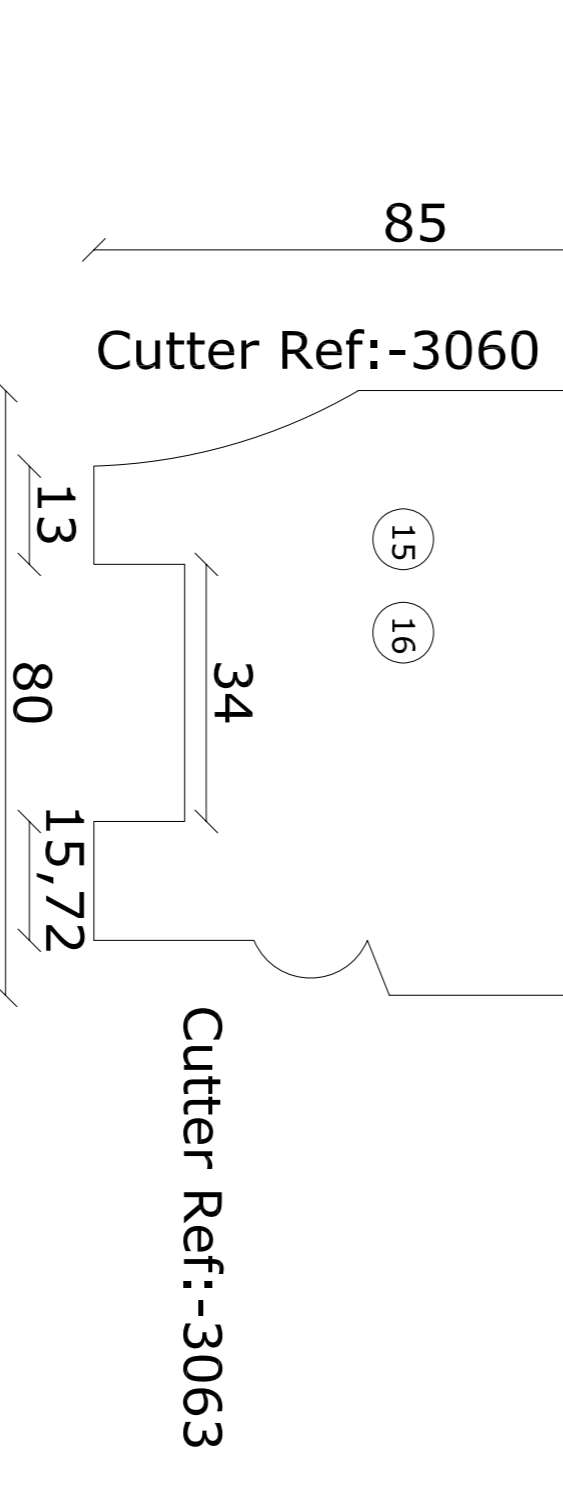
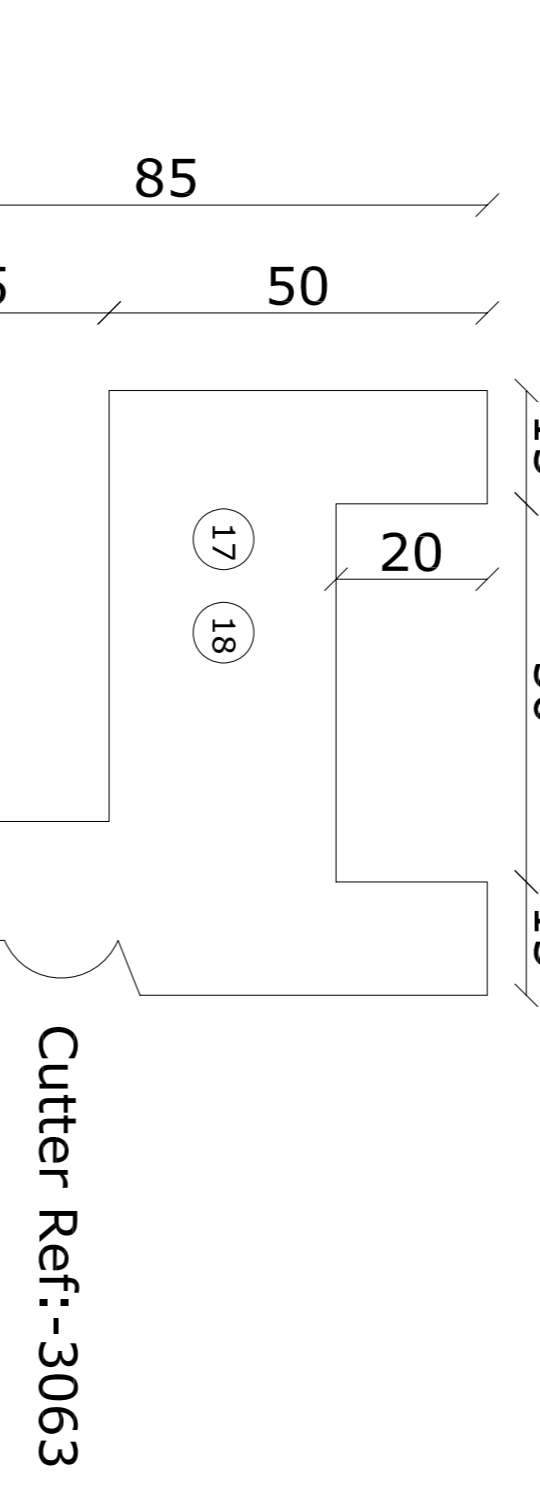
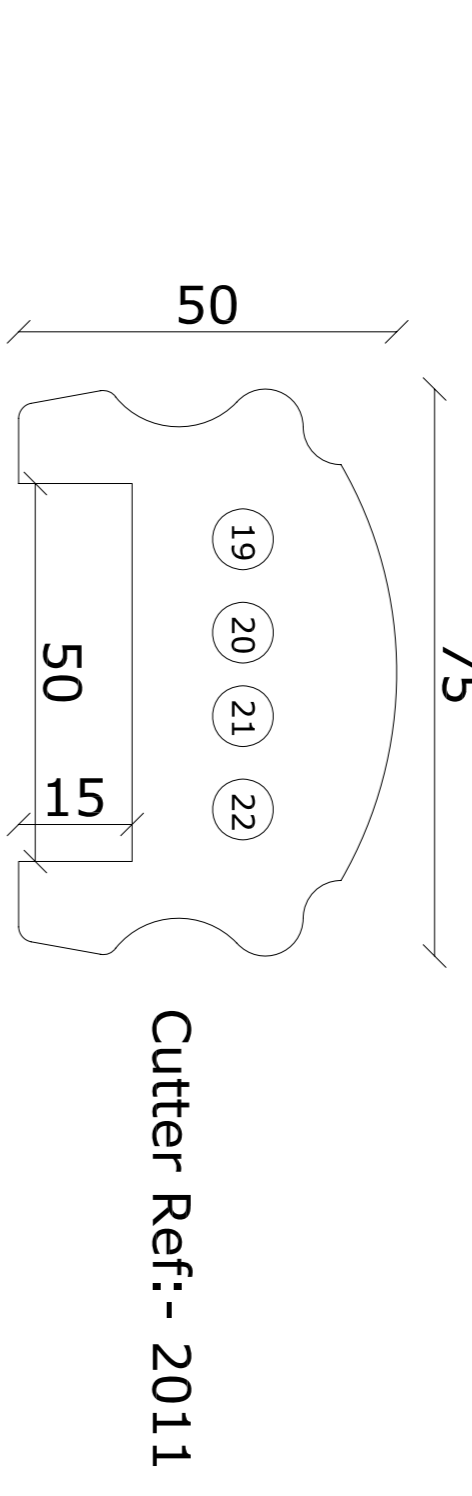


Please Note:-
This drawing is the property of BSS Quality Joinery Ltd and must not be copied or passed on to any third party without the written consent of BSS Quality Joinery Ltd

Notes:-

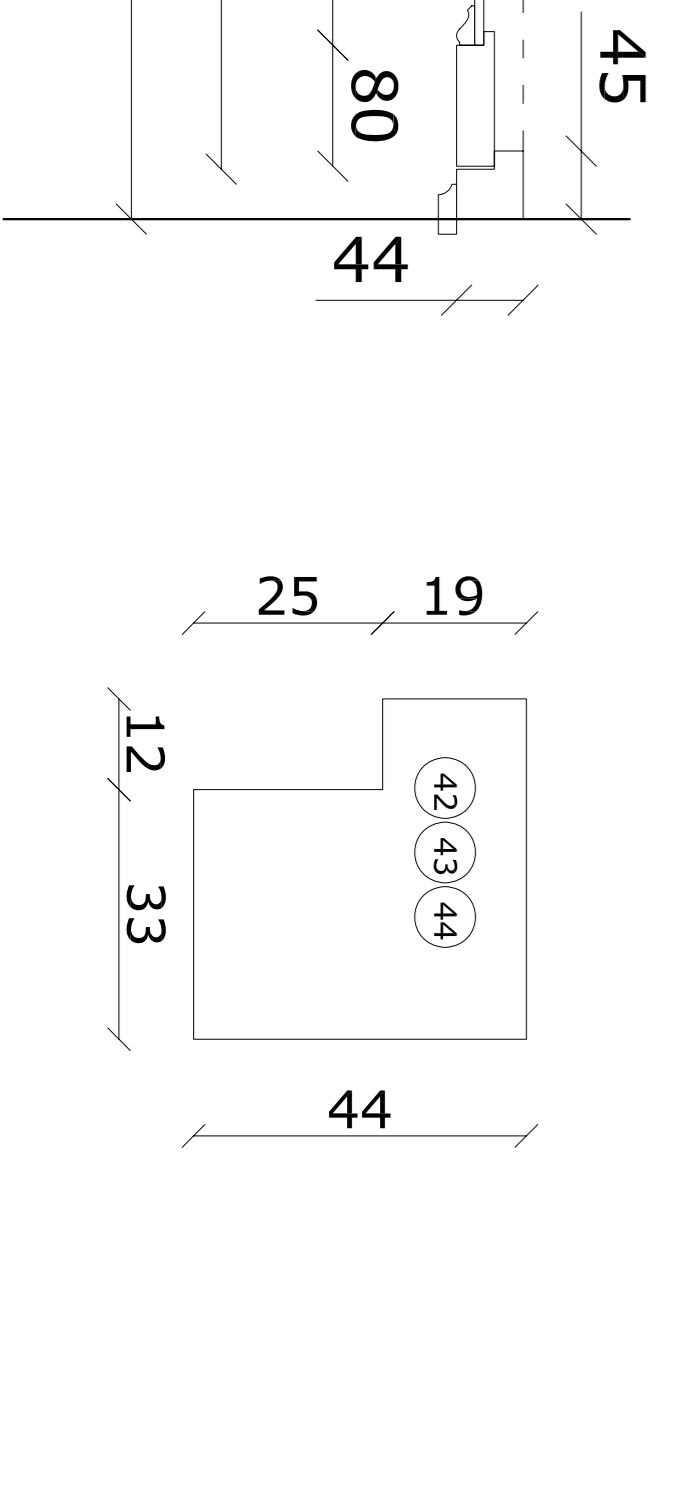
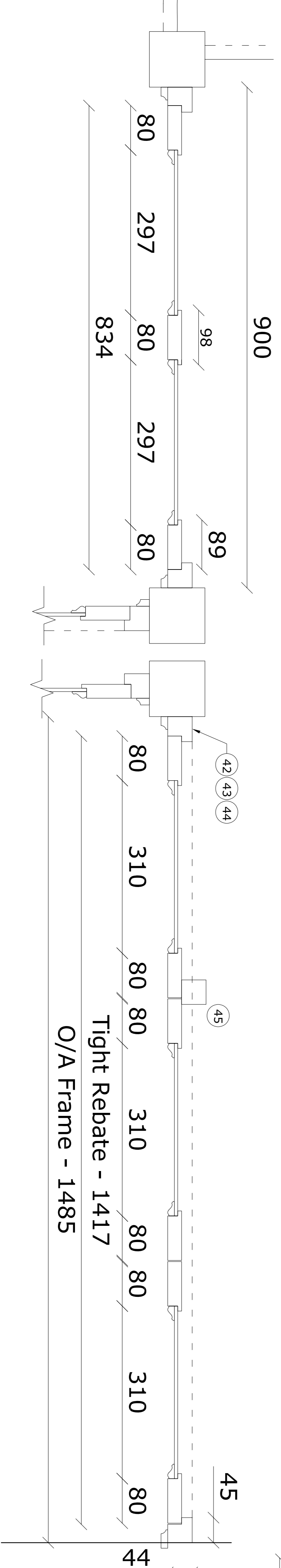
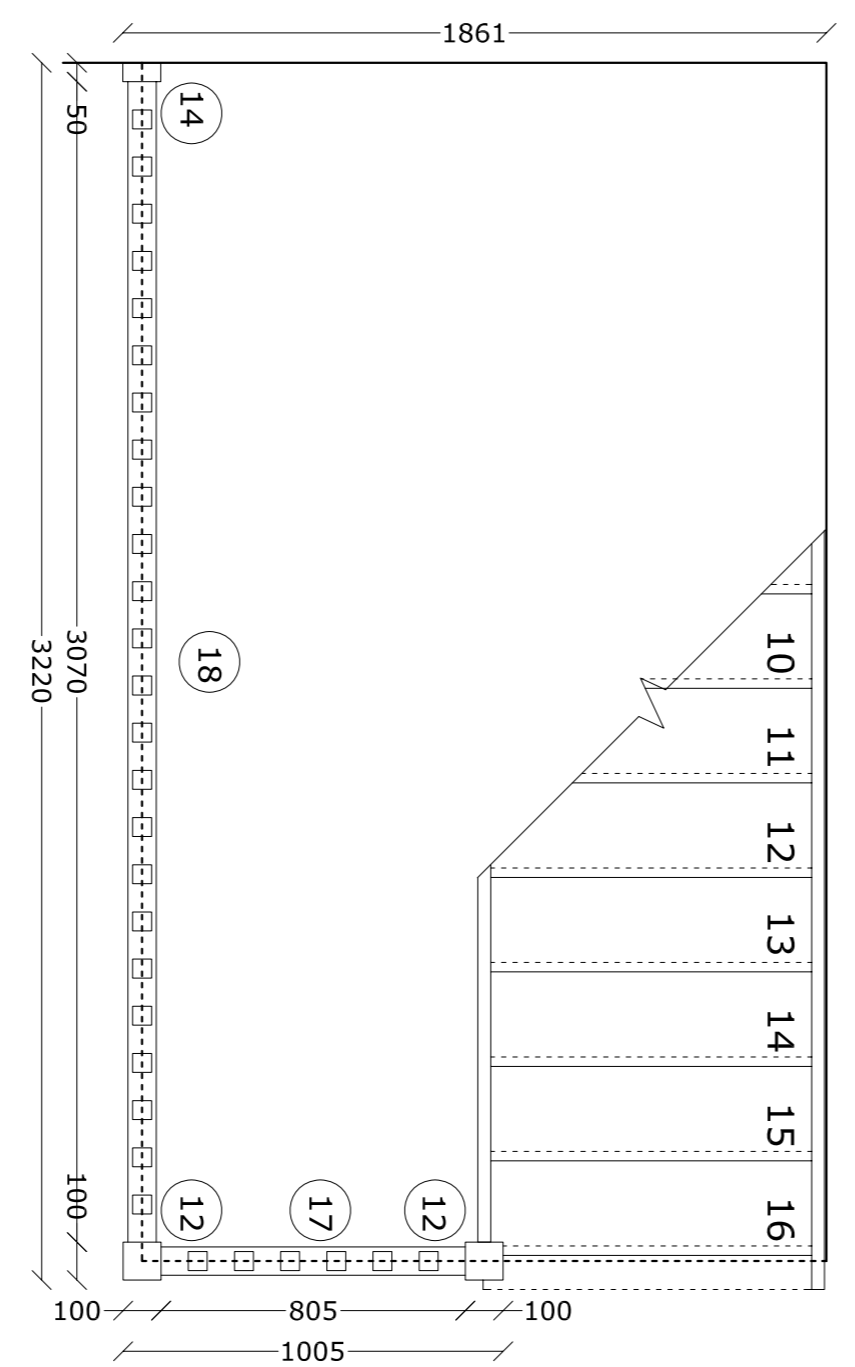
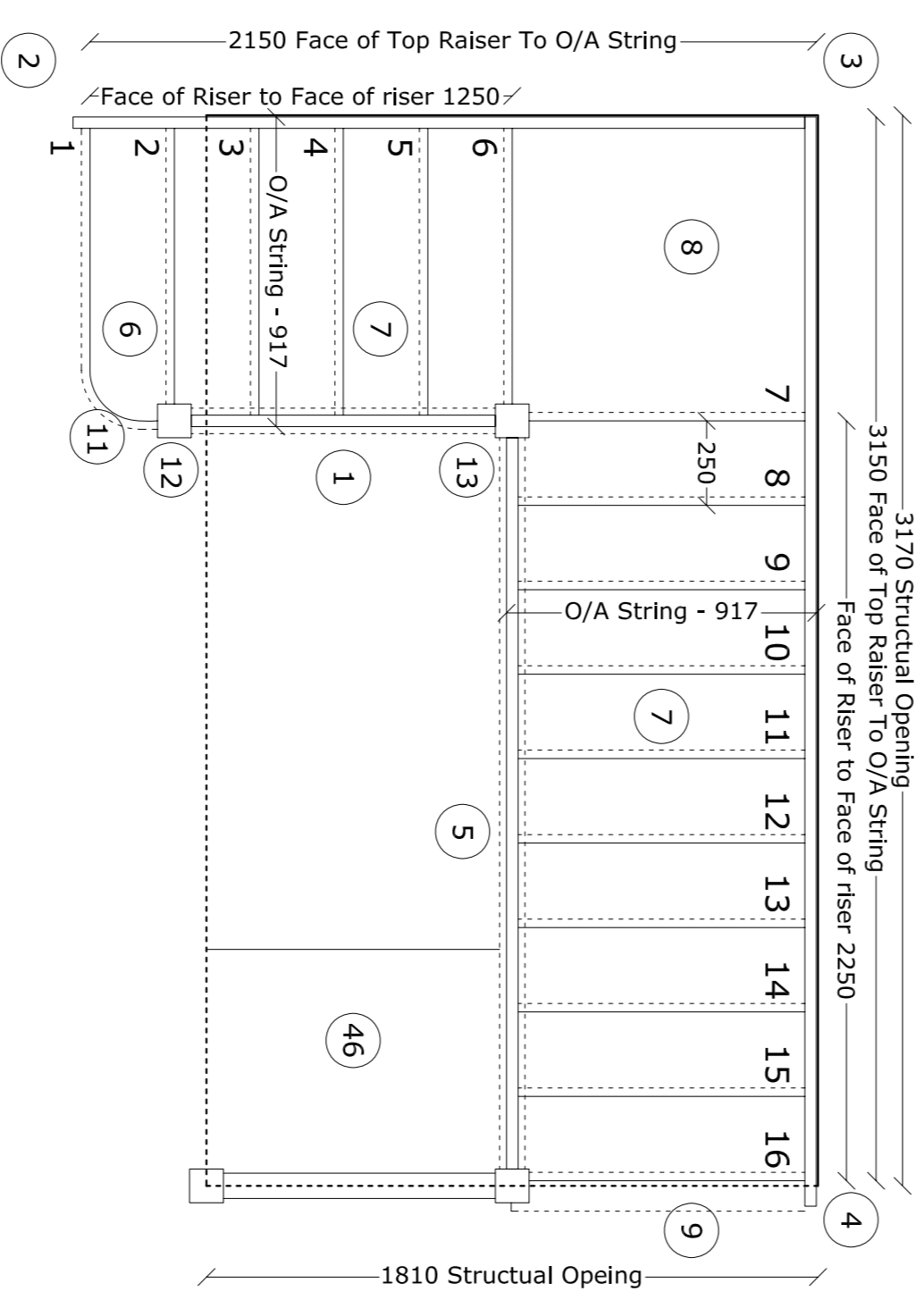


String Capping (Against Wall)



Floor To Floor	3146mm
Pitch Angle	38.2°
No. of Risers	16
Riser Height	196.6mm
Going	250
O/A String	
Tread Material	Softwood
Riser Material	Softwood
Knowel Post Material	Oak
Knowel Post Size	100mm x 100mm
Base Rail Material	Oak
Hand Rail Style	Cutter 2011
Hand Rail Height	915
Base Rail Material	Oak
Base Rail Style	Cutter 3063 - 3060
Spindle Material	Oak
Spindle Style	Turned & Carved
Infills	Oak

Notes
Newel Post - Special Turned - ORDERED
Spindles - Special Turned & Carved - ORDERED.



Rev E	
Rev D	
Rev C	
Rev B	
Rev A	



BSS Quality Joinery Ltd, Unit 3, Gwent Road, Alphenham Industrial Estate, Halesworth, Suffolk, IP15 0JL
Tel: 01473 842336 Fax: 01473 841134
email: sales@bssqualityjoinery.com

Client:
Mr. & Mrs Odds
Contact Name:
Martin Killick
Project:
Wintergates Farm House
Pope Street
Godersham

Job Title:
Basement Staircase

Drawing Description:
Plan - Section - Elevations + Details

Issue
BSQJ - Mervyn Gulvin
Construction

Job No.: 407
Drawing No.: BSQJ1247
Cut List No.: 555
Scale: 1:20 @ A1 + Details
Date: 03-08-06
Drawn By: D Partridge
Checked By: